

## ERHARD Post Fire Hydrants to DIN 3222, AUD Shape

of ductile cast iron, tested by DIN-DVGW, turning type,  
with theoretical breaking point, double cut-off

Range of application: water

Size DN	Pressure rating PN	Hydrost. test pressure <sup>4)</sup> in bars for		Max. admissible working pressure in bars at a working temperature of 40 °C
		body water	seat water	
80 100 150	16	25	17,6	16

When placing the order, please specify working pressure and earth cover.

**Connecting flange:** B, DN 80-150, PN 16, DI, type 21, EN 1092-2.

### Materials/Equipment

Corrosion protection of body components	Internal: ERHARD vitreous enamel, cobalt blue External, underground: vitreous-enamel primer with 2-coat synthetic resin, anthracite, RAL 7016 above ground: duplex coating consisting of spray zinc coating with covering coat on EP/PUR basis, flame red, RAL 3000
Stopper, retaining ring, guide, bonnet tip, breaking ring	Lamellar cast iron EN-JL1040 <sup>2)</sup>
Inlet piece, lower part of barrel, upper part of barrel	Ductile cast iron EN-JS1050 <sup>3)</sup>
Spindle nut, spindle guide, bush, square socket	Brass
Stem, key rod, spindle, retainer ring, cords for outlet caps, bolts	Stainless steel
Double cut-off ball, drain protection, guide star	Thermoplastic
Bonnet	Duroplastic
Rubber coating of stopper, O-rings	Elastomer, Special quality

The hydrant is closed by turning the spindle in clockwise direction.

DN 80 with 2 upper outlets with B-type fixed coupling to DIN 14318

**8442 7293** for an earth cover of 1,50 m

**8442 7294** for an earth cover of 1,25 m

DN 100 with 2 upper outlets with B-type fixed coupling to DIN 14318

with 1 lower outlet with A-type fixed coupling to DIN 14319

**8441 7293** for an earth cover of 1,50 m

**8441 7294** for an earth cover of 1,25 m

DN 150 with 2 upper outlets with B-type fixed coupling to DIN 14318

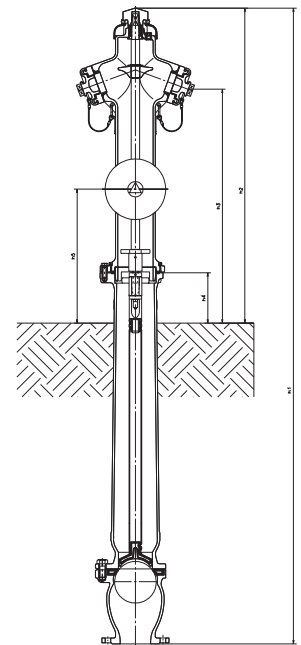
with 1 lower outlet with A-type fixed coupling to DIN 14319

**8441 7293** for an earth cover of 1,50 m

**8441 7294** for an earth cover of 1,25 m

### Dimensions

Size DN	Earth cover RD m	h <sub>1</sub> mm	h <sub>2</sub> mm	h <sub>3</sub> mm	h <sub>4</sub> mm	h <sub>5</sub> mm	Operating hexagon SW mm	2 upper fixed couplings	1 lower fixed coupling	Weight <sup>1)</sup> kg	Volume m <sup>3</sup>
80	1,25	2082	1030	775	167	437	70	B	—	94	0,16
	1,50	2332						DIN 14318		100	0,18
100	1,25	2082	1030	775	167	437	70	B	A	98	0,22
	1,50	2332						DIN 14318	DIN 14319	104	0,25
150	1,25	2082	1030	775	167	437	70	B	A	101	0,25
	1,50	2332						DIN 14318	DIN 14319	107	0,28



<sup>1)</sup> Net (without obligation).

<sup>2)</sup> Corresponding to former DIN description 0.6125 (GG-25).

<sup>3)</sup> Corresponding to former DIN description 0.7050 (GGG-50).

<sup>4)</sup> According to EN 12266 and EN 1074.