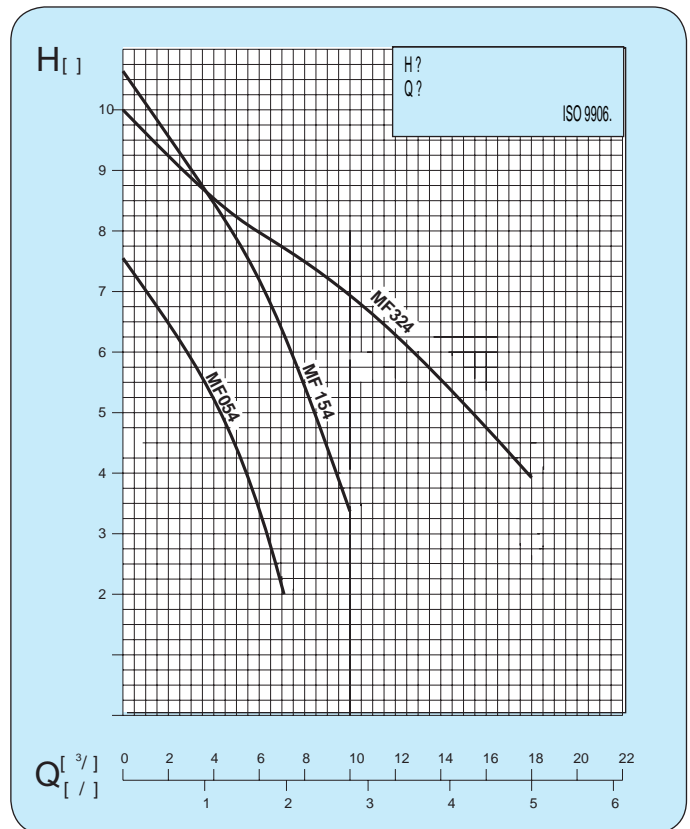
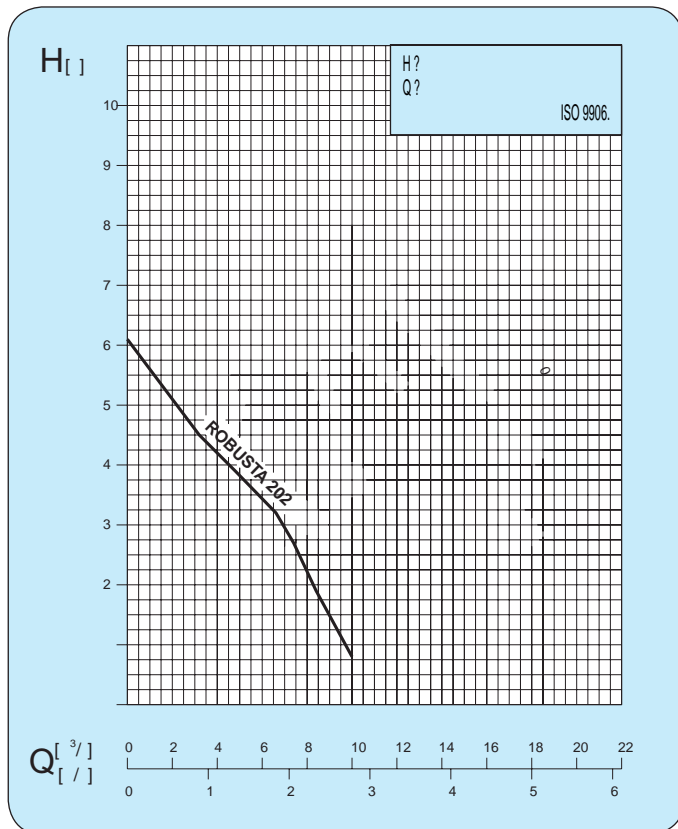


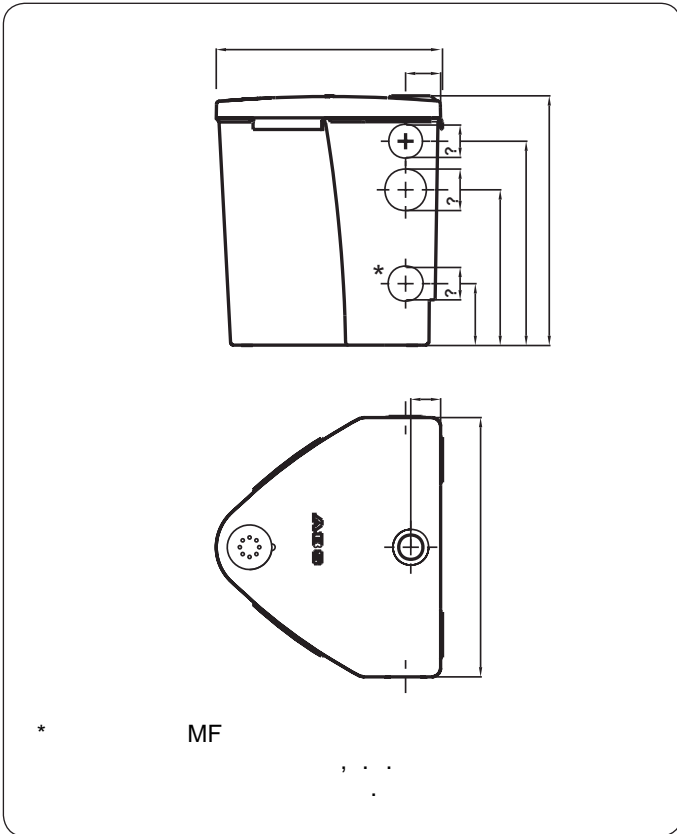
ABS SANIMAX

		P_1	P_2^*	50 min^{-1}				**
Sanimax R 202	40	0.46	0.16	2900	220-240 ~	2.1	3	5.3
Sanimax R 202/C	40	0.30	0.16	2900	220-240 ~	1.36	3	6.3
Sanimax MF 054	40	0.39	0.24	2900	220-240 ~	1.7	3	9.4
Sanimax MF 154	40	0.66	0.42	2900	220-240 ~	3	3	11
Sanimax MF 324	40	0.83	0.54	2900	220-240 ~	3.6	3	11

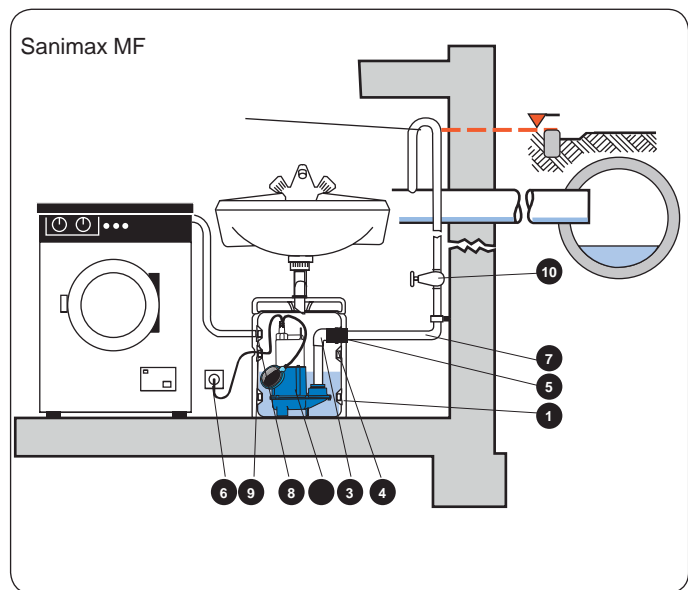
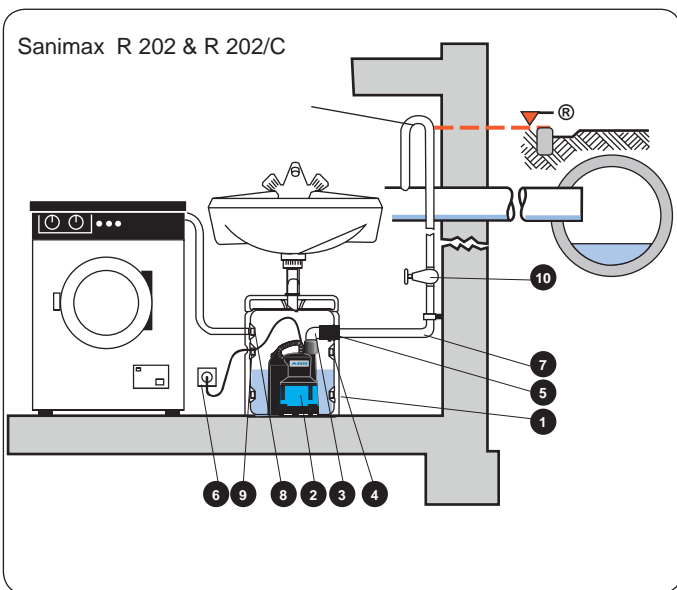
* $P_1 =$, $P_2 =$: HO7RN-F.

	Robusta 202					Robusta 202/C					MF 054-324				
	+	+				+									
1.4021			+									+			
1.4401						+	+								+
1.4301												+			
GG-25					+					+		+		+	+
				+					+					+	





	R202	MF
/	100/50	210/120
()	28	28
()	3	6
()	3,5	3,5



- 1
- 2
- 3
- 4
- 5

ABS




40/50

- 6
- 7
- 8
- 9
- 10

40

()

ABS SANIMAX

 <p>Aus Test Steckeralarm abs CE</p>	<p>NSM05</p> <p>ABS</p> <p>230</p> <p>(I . 2AV . 25)</p> <p>NSM05.</p> <p>62450038 ()</p> <p>62455012 ()</p> <p>DIN,</p>
 <p>abs WMST CE</p>	<p>WMST NSM05</p> <p>ABS</p> <p>DIN 230 , (I . 16).</p> <p>NSM05.</p> <p>DIN 230</p> <p>62450039</p> <p>DIN 230</p>
	<p>Broken Finger</p> <p>5 .</p>