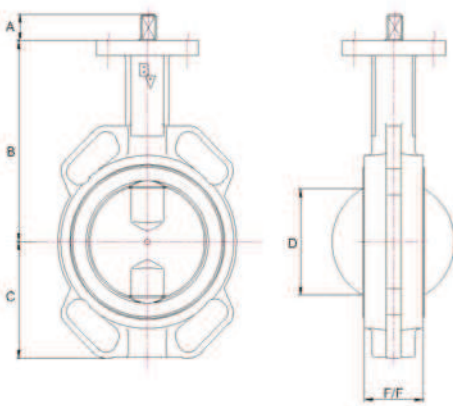


# BV 10

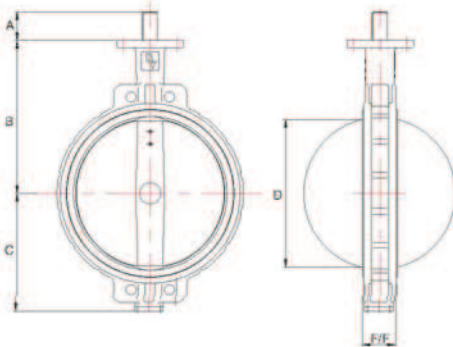


## DIMENSIONS



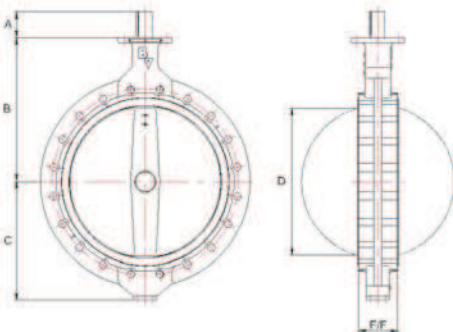
| DN  | NPS   | BV10   |       |       |       |      | BV10-NP |       |       |       |      |
|-----|-------|--------|-------|-------|-------|------|---------|-------|-------|-------|------|
|     |       | A      | B     | C     | D     | F/F  | A       | B     | C     | D     | F/F  |
| 32  | 1 1/4 | 22,0   | 110,0 | 57,0  | (*)   | 33,0 | U/R     | U/R   | U/R   | U/R   | U/R  |
| 40  | 1 1/2 | 22,0   | 110,0 | 89,0  | 29,0  | 33,0 | U/R     | U/R   | U/R   | U/R   | U/R  |
| 50  | 2     | 22,0   | 142,7 | 71,4  | 30,0  | 43,0 | 22,0    | 141,0 | 64,0  | 30,0  | 43,0 |
| 65  | 2 1/2 | 22,0   | 155,4 | 77,8  | 45,0  | 46,0 | 22,0    | 153,0 | 71,0  | 45,0  | 46,0 |
| 80  | 3     | 22,0   | 161,8 | 89,0  | 64,0  | 46,0 | 22,0    | 157,0 | 94,0  | 64,0  | 46,0 |
| 100 | 4     | 22,0   | 178,0 | 102,0 | 90,0  | 52,0 | 22,0    | 176,0 | 108,5 | 90,0  | 52,0 |
| 125 | 5     | 22,0   | 190,5 | 123,0 | 110,0 | 56,0 | 22,0    | 191,0 | 120,0 | 110,0 | 56,0 |
| 150 | 6     | 22,0   | 205,2 | 138,0 | 146,0 | 56,0 | 22,0    | 202,0 | 135,0 | 146,0 | 56,0 |
| 200 | 8     | 34,5   | 237,0 | 168,0 | 194,0 | 60,0 | 34,5    | 243,5 | 165,2 | 194,0 | 60,0 |
| 250 | 10    | 34,5   | 268,3 | 207,0 | 242,0 | 68,0 | 34,5    | 273,0 | 202,0 | 242,0 | 68,0 |
| 300 | 12    | 34,5   | 308,5 | 243,5 | 292,0 | 78,0 | 34,5    | 311,0 | 235,0 | 292,0 | 78,0 |
| mm  |       | Inches |       |       |       |      |         |       |       |       |      |

Dimensions in mm ; U/R = Upon Request  
 (\*) For this size, the open disc dimension is covered by F/F



| DN  | NPS | BV10   |       |       |       |       |
|-----|-----|--------|-------|-------|-------|-------|
|     |     | A      | B     | C     | D     | F/F   |
| 350 | 14  | 65,0   | 368,0 | 259,0 | 325,0 | 78,0  |
| 400 | 16  | 75,0   | 400,0 | 309,0 | 377,0 | 102,0 |
| 450 | 18  | 75,0   | 422,0 | 327,0 | 426,0 | 114,0 |
| 500 | 20  | 90,0   | 480,0 | 363,0 | 475,0 | 127,0 |
| mm  |     | Inches |       |       |       |       |

Dimensions in mm



| DN   | NPS | BV10   |       |       |        |       |
|------|-----|--------|-------|-------|--------|-------|
|      |     | A      | B     | C     | D      | F/F   |
| 600  | 24  | 100,0  | 562,0 | 459,0 | 572,0  | 154,0 |
| 700  | 28  | 85,0   | 626,0 | 518,0 | 674,0  | 165,0 |
| 800  | 32  | 100,0  | 666,0 | 605,0 | 772,0  | 190,0 |
| 900  | 36  | 118,0  | 722,0 | 655,0 | 840,0  | 203,0 |
| 1000 | 40  | 140,0  | 806,0 | 713,0 | 940,0  | 216,0 |
| 1200 | 48  | 150,0  | 938,0 | 855,0 | 1132,0 | 254,0 |
| mm   |     | Inches |       |       |        |       |

Dimensions in mm

all dimensions are subject to revision without prior notice