

BV 10-U

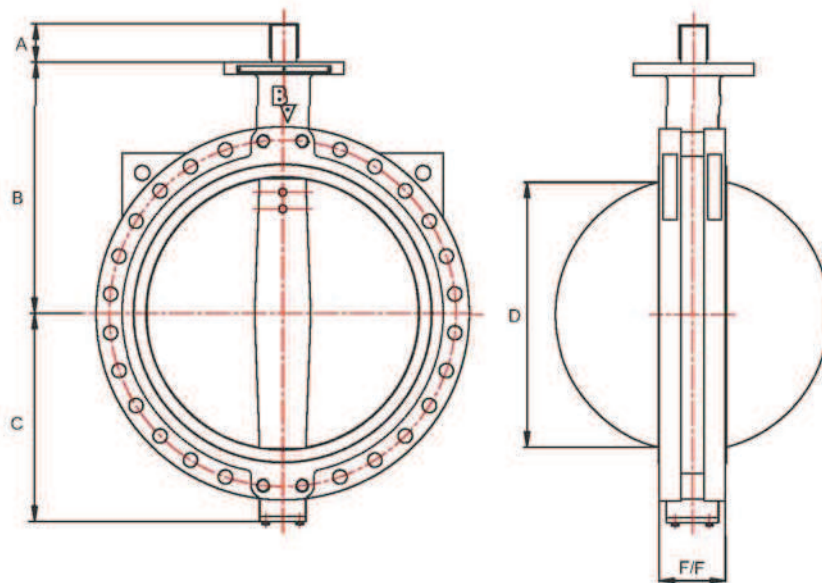
BV 11

BV 12-U

U-section design



DIMENSIONS



DN	NPS	BV10-U / BV11 / BV12-U					BV10-U	BV11	BV12-U
		A	B	C	D	F/F			
200	8	34,5	260,0	175,0	194,0	60,0	belverr	U/R	U/R
250	10	34,5	292,0	202,5	242,0	68,0	belverr	U/R	U/R
300	12	34,5	337,0	242,0	292,0	78,0	belverr	U/R	U/R
350	14	65,0	364,0	267,0	325,0	78,0	belverr	belverr	U/R
400	16	75,0	400,0	309,0	377,0	102,0	belverr	belverr	U/R
450	18	75,0	422,0	337,0	426,0	114,0	belverr	belverr	U/R
500	20	90,0	480,0	371,0	475,0	127,0	belverr	belverr	U/R
600	24	100,0	562,0	459,0	572,0	154,0	belverr	belverr	U/R
700	28	85,0	626,0	527,0	674,0	165,0	belverr	belverr	belverr
750	30	85,0	660,0	566,4	726,0	167,0	belverr	belverr	belverr
800	32	100,0	666,0	605,0	772,0	190,0	belverr	belverr	belverr
900	36	118,0	720,0	668,0	840,0	203,0	belverr	belverr	belverr
1000	40	140,0	806,0	728,0	940,0	216,0	belverr	belverr	belverr
1050	42	150,0	858,0	790,5	992,0	251,0	belverr	belverr	belverr
1100	44	150,0	850,0	760,0	1115,0	251,0	belverr	belverr	belverr
1200	48	150,0	938,0	868,0	1132,0	254,0	belverr	belverr	belverr
mm	inches								

Dimensions in mm ; U/R = Upon Request

all dimensions are subject to revision without prior notice