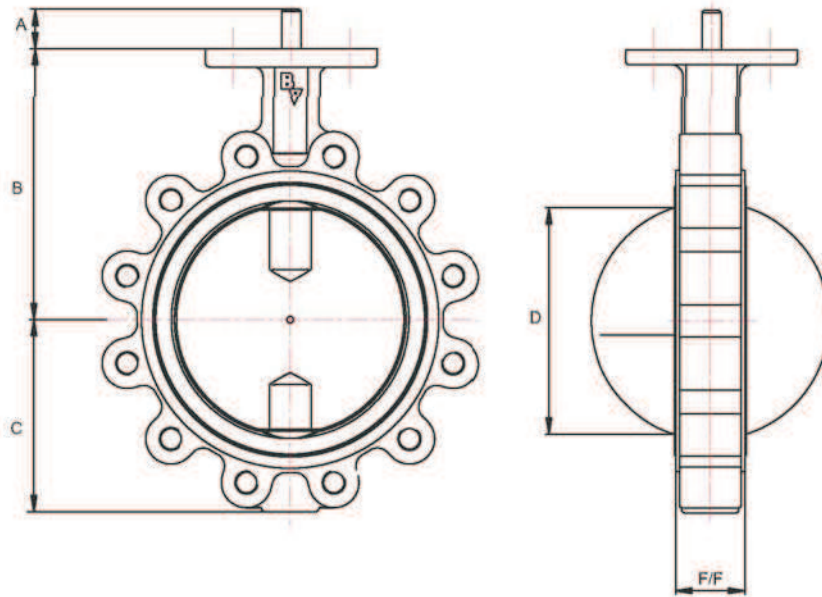


BV 12



DIMENSIONS



DN	NPS	BV12					BV12-NP				
		A	B	C	D	F/F	A	B	C	D	F/F
40	1 1/2	22,0	110,0	89,0	29,0	33,0	U/R	U/R	U/R	U/R	U/R
50	2	22,0	142,7	71,4	30,0	43,0	22,0	141,0	64,0	30,0	43,0
65	2 1/2	22,0	155,4	77,8	45,0	46,0	22,0	153,0	71,0	45,0	46,0
80	3	22,0	161,8	89,0	64,0	46,0	22,0	157,0	71,0	64,0	46,0
100	4	22,0	178,0	102,0	90,0	52,0	22,0	176,0	103,2	90,0	52,0
125	5	22,0	190,5	123,0	110,0	56,0	22,0	191,0	119,0	110,0	56,0
150	6	22,0	205,2	138,0	146,0	56,0	22,0	203,0	132,0	146,0	56,0
200	8	34,5	237,0	168,0	194,0	60,0	34,5	244,0	165,0	194,0	60,0
250	10	34,5	268,3	207,0	242,0	68,0	34,5	273,0	197,0	242,0	68,0
300	12	34,5	308,5	243,5	292,0	78,0	34,5	311,0	231,0	292,0	78,0
350	14	65,0	368,0	259,0	325,0	78,0	U/R	U/R	U/R	U/R	U/R
400	16	75,0	400,0	309,0	377,0	102,0	U/R	U/R	U/R	U/R	U/R
450	18	75,0	422,0	327,0	426,0	114,0	U/R	U/R	U/R	U/R	U/R
500	20	90,0	480,0	361,0	475,0	127,0	U/R	U/R	U/R	U/R	U/R
600	24	100,0	562,0	459,0	572,0	154,0	U/R	U/R	U/R	U/R	U/R
mm	inches										

Dimensions in mm ; U/R = Upon Request

all dimensions are subject to revision without prior notice