

4 ПОЛЮСА > 1450 1/мин.

МОДЕЛЬ	Q (м3/ч) л/мин	0	3	6	12	18	24	30	36	42	48	54
		0	50	100	200	300	400	500	600	700	800	900
KDN 32-125.1/105	H (м)	3.5	3.4	3.1								
KDN 32-125.1/110		3.9	3.8	3.5								
KDN 32-125.1/115		4.25	4.2	3.9								
KDN 32-125.1/120		4.7	4.6	4.3								
KDN 32-125.1/125		5.1	5.1	4.8								
KDN 32-125.1/130		5.6	5.6	5.3								
KDN 32-125.1/135		6.1	6	5.8	4.4							
KDN 32-125.1/140		6.6	6.6	6.4	5.1							
KDN 32-125/115		4.3		4.1	3.2							
KDN 32-125/120		4.75		4.6	3.75							
KDN 32-125/125		5.2		5.05	4.2							
KDN 32-125/130		5.7		5.5	4.8							
KDN 32-125/135		6.2		6	5.3	3.65						
KDN 32-125/142		6.9		6.75	6.15	4.5						
KDN 32-160.1/137		5.3	5.3	4.7								
KDN 32-160.1/145		6.2	6.1	5								
KDN 32-160.1/153		7	7	6.6								
KDN 32-160.1/161		8	7.9	7.6								
KDN 32-160.1/169		8.9	8.9	8.6	5.5							
KDN 32-160.1/177		9	9.8	9.5	6.6							
KDN 32-160/137		5.9		5.6	4.4							
KDN 32-160/145		6.7		6.5	5.3							
KDN 32-160/153		7.6		7.4	6.25							
KDN 32-160/161		8.5		8.25	7.25	8.7						
KDN 32-160/169		9.5		9.3	8.4	6.6						
KDN 32-160/177		10.5		10.4	9.6	7.8						
KDN 32-200.1/170		8.6	8.5	7.2								
KDN 32-200.1/180		9.8	9.8	9								
KDN 32-200.1/190		11.3	11.1	10.5								
KDN 32-200.1/200		12.8	12.7	11.7	8.3							
KDN 32-200.1/207		13.8	13.8	13	8.9							
KDN 32-200/170		8.6		8.2	6.7							
KDN 32-200/180		9.9		9.6	8.2							
KDN 32-200/190		11.2		10.9	9.7	7						
KDN 32-200/200		12.6		12.3	11.1	8.7						
KDN 32-200/210		14.3		14	13.1	10.7						
KDN 32-200/219		15.7		15.4	14.8	13	9.8					
KDN 40-125/115		4.2		4.1	3.8	3.2	2.4					
KDN 40-125/120		4.6		4.5	4.2	3.7	2.9					
KDN 40-125/125		5.1		4.9	4.7	4.1	3.3					
KDN 40-125/130		5.5		5.4	5.2	4.7	3.9					
KDN 40-125/135		6		5.9	5.8	5.3	4.6					
KDN 40-125/142	6.7		6.6	6.5	6	5.3	4.1					
KDN 40-160/137	5.9		5.8	5.8	5	3.7						
KDN 40-160/145	6.7		6.6	6.5	6	4.8						
KDN 40-160/153	7.6		7.6	7.5	7	6.8						
KDN 40-160/161	8.6		8.5	8.4	8	7.1	5.6					
KDN 40-160/169	9.6		9.5	9.5	9.1	8.3	7					
KDN 40-160/177	10.7		10.7	10.6	10.2	9.5	8.3					
KDN 40-200/170	8.4		8.4	8.2	7.4	5.7						
KDN 40-200/180	9.7		9.7	9.4	8.8	7.2						
KDN 40-200/190	10.9		10.8	10.7	10.2	8.8	6.8					
KDN 40-200/200	12.2		12.1	12	11.7	10.4	8.6					
KDN 40-200/210	13.6		13.5	13.5	13.2	12.1	10.6					
KDN 40-200/219	15		15	15	14.7	13.8	12.4	10.4				
KDN 40-250/220	15.8			15.6	14.8	13.6	12					
KDN 40-250/230	17.4			17.2	16.5	15.3	13.7					
KDN 40-250/240	19.1			19	18.2	17	15.5					
KDN 40-250/250	20.7			20.6	20	18.9	17.5					
KDN 40-250/260	22.7			22.6	22.1	21	19.5					

МОДЕЛЬ	Q (м³/ч) (л/мин)	0	3	6	12	18	24	30	36	42	48	54	60	66	72	78	84	90	102	114
		0	50	100	200	300	400	500	600	700	800	900	1000	1100	1200	1300	1400	1500	1700	1900
KDN 50-125/115		4.2			4.1	3.9	3.6	3.3	2.9	2.3										
KDN 50-125/120		4.6			4.4	4.3	4	3.7	3.3	2.8										
KDN 50-125/125		5			4.9	4.7	4.5	4.2	3.7	3.3										
KDN 50-125/130		5.6			5.4	5.2	5	4.7	4.2	3.8	3.2									
KDN 50-125/135		6			5.8	5.7	5.5	5.2	4.8	4.3	3.8									
KDN 50-125/139		6.3			6.2	6.1	5.9	5.6	5.2	4.8	4.2									
KDN 50-125/144		6.7			6.7	6.6	6.4	6.2	5.8	5.3	4.8	4.1								
KDN 50-160/137		6			6	5.9	5.6	5.2	4.8											
KDN 50-160/145		6.8			6.7	6.7	6.5	6.2	5.8											
KDN 50-160/153		7.6			7.6	7.5	7.4	7.2	6.7											
KDN 50-160/161		8.4			8.4	8.3	8.2	8.1	7.7											
KDN 50-160/169		9.4			9.3	9.2	9.2	9.1	8.8											
KDN 50-160/177		10.4			10.3	10.3	10.2	10.1	9.95											
KDN 50-200/170		9.5			9.3	9.2	8.8	8	6.85											
KDN 50-200/180		10.6			10.6	10.5	10.1	9.5	8.6	7.3										
KDN 50-200/190		11.8			11.7	11.6	11.4	10.8	10.1	8.9										
KDN 50-200/200		13.1			13	13	12.8	12.3	11.6	10.6	9.4									
KDN 50-200/210		14.6			14.6	14.5	14.4	13.9	13.2	12.2	11									
KDN 50-200/219		16			16	16	15.9	15.4	14.2	13.8	12.7	11.4								
KDN 50-250/220		15.9			15.7	15.6	15.4	14.9	13.8	12.4	10.5									
KDN 50-250/230		17.4			17.3	17.2	17	16.5	15.5	14.2	12.6	10.3								
KDN 50-250/240		19			19	19	18.8	18.2	17.4	16.2	14.7	12.4								
KDN 50-250/250		20.8			20.8	20.7	20.6	20.1	19.2	18.1	17	14.8								
KDN 50-250/263		23			23	22.9	22.8	22.5	21.7	20.6	19.4	17.5								
KDN 65-125/120/110		3.75					3.5	3.3	3.2	2.9	2.7	2.3	1.9							
KDN 65-125/120		4.25					3.9	3.8	3.6	3.3	3.1	2.7	2.3							
KDN 65-125/125		4.7					4.4	4.25	4.1	3.8	3.6	3.25	2.8							
KDN 65-125/130		5.1					4.9	4.75	4.6	4.3	4.1	3.8	3.3	2.8						
KDN 65-125/135		5.6					5.4	5.3	5.2	4.9	4.7	4.3	3.9	3.5	3					
KDN 65-125/140		6					5.9	5.8	5.7	5.5	5.2	4.9	4.5	4.1	3.6					
KDN 65-125/144		6.4					6.35	6.25	6.2	5.9	5.7	5.4	5	4.65	4.2	3.7				
KDN 65-160/137		5.8					5.7	5.4	5.2	4.75	4.3	3.7								
KDN 65-160/145		6.5					6.5	6.3	6	5.7	5.3	4.75	4.1							
KDN 65-160/153		7.3					7.2	7.2	6.9	6.7	6.3	5.8	5.25							
KDN 65-160/161		8.2					8.1	8.1	7.9	7.7	7.3	6.85	6.3	5.8						
KDN 65-160/169		9.1					9.1	9	8.9	8.7	8.4	8	7.6	7.1	6.4					
KDN 65-160/177		10					10	9.9	9.8	9.7	9.45	9.1	8.7	8.2	7.5					
KDN 65-200/170		9.3				9.3	9.2	9.2	9	8.5	7.9	7.1	6.3							
KDN 65-200/180		10.4				10.4	10.4	10.3	10.2	10	9.5	8.8	8.1							
KDN 65-200/190		12.1				12	12	12	11.9	11.5	11.1	10.5	9.8	8.8						
KDN 65-200/200		13.3				13.3	13.3	13.2	13.1	13	12.8	12.3	11.6	10.8						
KDN 65-200/210		14.8				14.7	14.7	14.7	14.6	14.6	14.3	13.8	13.4	12.7	12					
KDN 65-200/219		16.2				16.2	16.2	16.1	16	15.9	15.8	15.4	15	14.4	13.5	12.7				
KDN 65-250/220		15.8					15.8	15.5	15.1	14.5	14	13.2	12	10.7						
KDN 65-250/230		17.4					17.4	17.2	16.8	16.3	15.7	15	14.1	12.7	11.4					
KDN 65-250/240		19					19	18.9	18.5	18.1	17.5	16.8	16	14.7	13.6					
KDN 65-250/250		20.7					20.7	20.6	20.4	20	19.5	18.8	18	17	15.9	14.5				
KDN 65-250/263		23.2					23	23	22.9	22.5	22.2	21.6	20.8	19.8	18.6	17.4	16			
KDN 65-315/260		22.3					22.2	22.1	22	21.5	21	20.5	20	19.2	18.4	17	16	15		
KDN 65-315/275		25.1					25.1	25	24.8	24.6	24.1	23.5	23	22.5	21.5	20.5	19.4	18.1		
KDN 65-315/290		28.2					28.2	28.1	28	27.8	27.3	27	26.5	25.5	25	24	23.1	22	19.5	
KDN 65-315/305		31.7					31.5	31.4	31.4	31.3	31.2	30.8	30.4	29.6	29	28	27.2	26.1	23.5	
KDN 65-315/320		35.7					35.4	35.3	35.2	35.1	35	34.8	34.5	33.8	33.5	32.5	31.5	30.8	28	24.8

H
(м)

4 ПОЛЮСА > 1450 1/мин

МОДЕЛЬ	Q (м³/ч) (л/мин)	0	42	48	54	60	66	72	78	84	90	102	114	120	150	180	210	240	270	300	330	360	390	420
		0	700	800	900	1000	1100	1200	1300	1400	1500	1700	1900	2000	2500	3000	3500	4000	4500	5000	5500	6000	6500	7000
KDN 80-160/147/127		5.7	5.4	5.25	5.05	4.8	4.6	4.35	4.15	3.85	3.6	3.1	2.5	2.2										
KDN 80-160/153/136		6.4	6.2	6.05	5.85	5.7	5.4	5.15	4.8	4.65	4.4	3.85	3.3	3										
KDN 80-160/153		7.3	7.1	6.9	6.7	6.5	6.3	6	5.75	5.4	5.2	4.55	3.9	3.6										
KDN 80-160/161		8.2	8	7.9	7.75	7.5	7.3	7.05	6.8	6.5	6.25	5.6	4.9	4.6										
KDN 80-160/169		9.1	9	8.85	8.7	8.6	8.35	8.1	7.85	7.6	7.3	6.75	6	5.7										
KDN 80-160/177		10	9.9	9.85	9.8	9.7	9.5	9.3	9.1	8.85	8.7	8.1	7.25	6.9										
KDN 80-200/170		9.2	9.1	9	8.7	8.5	8.2	7.8	7.5	7.1	6.7	5.6												
KDN 80-200/180		10.3	10.2	10.2	10	9.9	9.6	9.2	9	8.6	8.2	7.2												
KDN 80-200/190		11.4	11.4	11.3	11.2	11.1	11	10.7	10.5	10.1	9.8	8.7	6.8											
KDN 80-200/200		12.7	12.6	12.6	12.6	12.5	12.4	12.3	12	11.6	11.4	10.5	9.4	8.8										
KDN 80-200/210		14.1	14	14	14	13.9	13.8	13.7	13.6	13.3	13.1	12.1	11.2	10.6										
KDN 80-200/222		15.9	15.9	15.8	15.7	15.6	15.6	15.5	15.4	15.3	15	14.3	13.4	12.8										
KDN 80-250/220		16	15.9	15.8	15.7	15.6	15.5	15.2	14.9	14.5	13.9	12.8												
KDN 80-250/230		17.3	17.3	17.2	17.1	17	16.9	16.8	16.5	16	15.5	14.3	12.4											
KDN 80-250/240		19	19	19	18.9	18.8	18.7	18.6	18.4	18	17.6	16.6	15.3	14.6										
KDN 80-250/250		20.8	20.7	20.7	20.7	20.6	20.5	20.4	20.3	19.9	19.6	18.6	17.4	16.8										
KDN 80-250/260		22.6	22.5	22.5	22.4	22.3	22.2	22.1	22	21.8	21.4	20.6	19.6	19	15.1									
KDN 80-250/270		24.5	24.4	24.4	24.4	24.3	24.2	24.1	24	23.7	23.3	22.4	21.4	20.7	16.3									
KDN 80-315/275		24.8		24.8	24.8	24.7	24.6	24.5	24.4	24.3	24	23	21.4	20.5										
KDN 80-315/290		27.8		27.8	27.8	27.7	27.7	27.6	27.6	27.5	27.4	26.5	25	24.6	19.1									
KDN 80-315/305		31.4		31.4	31.3	31.2	31.2	31.2	31.2	31.2	30.9	30	29	28.5	24									
KDN 80-315/320		34.8		34.7	34.6	34.6	34.5	34.4	34.3	34	33.9	33.8	33.2	32.8	28.8									
KDN 80-315/334		38.3		38.2	38.2	38.2	38.2	38.2	38.1	38	37.9	37.6	37	36.9	33.1	28								
KDN 100-200/180		10.1				10.1	10.1	10	9.9	9.7	9.5	9.1	8.5	8.3	7	5.4								
KDN 100-200/190		11.6				11.5	11.4	11.3	11.2	11.1	11	10.5	10.1	10	8.6	7								
KDN 100-200/200		12.9				12.8	12.8	12.8	12.7	12.6	12.5	12.2	11.8	11.6	10.4	8.8								
KDN 100-200/210		14.3				14.2	14.2	14.2	14.2	14.1	14	13.8	13.5	13.3	12.3	10.7	9							
KDN 100-200/219		16				15.7	15.7	15.6	15.6	15.5	15.5	15.3	15.1	15	14	12.5	10.8							
KDN 100-250/220		15.2				14.9	14.9	14.9	14.8	14.7	14.6	14.3	13.7	13.4	11.4									
KDN 100-250/230		16.9				16.7	16.7	16.6	16.5	16.4	16.3	16.1	15.7	15.3	13.6	11.1								
KDN 100-250/240		18.5				18.3	18.3	18.3	18.2	18.1	18	17.9	17.6	17.4	15.7	13.3								
KDN 100-250/250		20.1				20	20	19.9	19.8	19.7	19.6	19.5	19.4	19.2	17.6	15.4								
KDN 100-250/260		22.3				22.1	22.1	22.1	22	21.9	21.8	21.7	21.5	21.4	19.8	17.7	15.1							
KDN 100-250/270		24.3				24.3	24.3	24.3	24.3	24.3	24.2	24.1	23.7	23.5	22.1	20.1	17.3							
KDN 100-315/275		25.1				25	25	25	24.9	24.8	24.7	24.6	24.4	24	22	19								
KDN 100-315/290		28				27.9	27.9	27.9	27.9	27.8	27.7	27.6	27.5	27	25.5	23								
KDN 100-315/305		31.3				31.1	31.1	31.1	31	30.9	30.8	30.7	30.6	30.5	29	27	24							
KDN 100-315/320		34.5				34.4	34.4	34.4	34.4	34.4	34.3	34.2	34.1	34	33	31	28.1							
KDN 100-315/334		38.2				38.2	38.1	38.1	38.1	38	38	37.7	37.5	37.3	36.5	34.8	32	28.8						
KDN 125-250/220		15										14.9	14.9	14.8	14.5	14	13	11.8	10.5	9.2				
KDN 125-250/230		16.6										16.6	16.6	16.5	16.3	15.6	14.8	13.8	12.5	12.3	9.5			
KDN 125-250/240		18.2										18.1	18.1	18.1	18	17.7	16.8	15.8	14.5	13.3	11.6	10.1		
KDN 125-250/250		19.9										19.8	19.8	19.7	19.6	19.4	18.7	17.8	16.6	15.5	14	12.3		
KDN 125-250/260		21.7										21.7	21.6	21.5	21.4	21.3	20.6	19.9	18	17.7	16.3	14.6	13	
KDN 125-250/269		23.9										23.9	23.9	23.8	23.6	23.2	22.7	22.1	22.2	20.2	19	17.5	15.6	14
KDN 150-200/210/170		8.9										8.9	8.9	8.8	8.7	8.6	8.3	7.9	7.4	6.8	6.2	5.4	4.5	
KDN 150-200/218/182		10.4										10.4	10.4	10.3	10.2	9.9	9.5	9.1	8.6	8.1	7.4	6.6	5.8	
KDN 150-200/218/200		11.4										11.4	11.4	11.4	11.2	10.9	10.6	10.1	9.7	9.2	8.5	7.8	6.9	5.9
KDN 150-200/218		12.9										12.7	12.7	12.6	12.4	12.1	11.7	11.2	10.7	10.2	9.6	8.8	8	7.1
KDN 150-200/224		13.8										13.6	13.6	13.5	13.3	13	12.6	12.2	11.7	11.2	10.6	9.9	9.2	8.2

H
(м)

ЦЕНТРОБЕЖНЫЕ НАСОСЫ



2 ПОЛЮСА > 2900 1/мин.

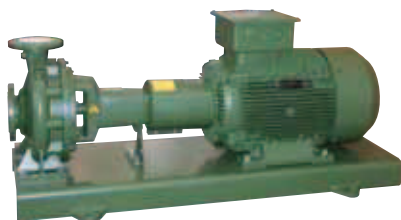
МОДЕЛЬ	Q (м³/ч) (л/мин)	0	6	12	18	24	30	36	42	48	54
		0	100	200	300	400	500	600	700	800	900
KDN 32-125.1/105	H (м)	13.8	13.6	12.3	9.7						
KDN 32-125.1/110		15.5	15.2	13.9	11.5						
KDN 32-125.1/115		17.1	16.8	15.5	13.2						
KDN 32-125.1/120		18.8	18.5	17.3	15.1						
KDN 32-125.1/125		20.5	20.3	19.1	17						
KDN 32-125.1/130		22.3	22.2	21.3	19						
KDN 32-125.1/135		24.4	24.1	23.3	21.1	17.8					
KDN 32-125.1/140		26.5	26.4	25.6	23.4	20.1					
KDN 32-125/115		17.3		16.5	15.1	12.9					
KDN 32-125/120		19		18.2	17	14.9	11.1				
KDN 32-125/125		20.9		20.1	18.9	16.9	13.5				
KDN 32-125/130		22.9		22	21	19.1	16.2				
KDN 32-125/135		24.9		24	22.1	21.5	18.5	14.7			
KDN 32-125/142		27.8		27	26.1	24.5	21.7	18			
KDN 32-160.1/137		21.5	21.2	19.3							
KDN 32-160.1/145		24.7	24.5	22.3	16.5						
KDN 32-160.1/153		28.3	28	26	20.5						
KDN 32-160.1/161		32	31.8	30	25						
KDN 32-160.1/169		36	35.7	34.4	29.5						
KDN 32-160.1/177		39.5	39.3	38.2	34.5	26					
KDN 32-160/137		23.7		22.6	20.7	17.6					
KDN 32-160/145		27		25.8	23.9	21.2	16.9				
KDN 32-160/153		30.4		29.5	27.7	25.8	21.2				
KDN 32-160/161		34		33	31.7	29.1	25.5				
KDN 32-160/169		38		37.3	36	33.6	35.7	26.5			
KDN 32-160/177		41.8		41.5	40.5	38.4	35.3	31.4			
KDN 32-200.1/170		34.3	34.2	31.9	23.5						
KDN 32-200.1/180		39.4	39.2	36.7	30						
KDN 32-200.1/190		45.3	44.7	41.5	35.5						
KDN 32-200.1/200		51.5	51	47.3	41	35					
KDN 32-200.1/207		55.3	55	51.8	46.4	37					
KDN 32-200/170		34		33	31	27	21				
KDN 32-200/180	39		38.5	36.5	32.5	28					
KDN 32-200/190	45		43.5	42	39	34	28.5				
KDN 32-200/200	51		49	48	45	40.5	35				
KDN 32-200/210	57		56	55	52.5	48.5	43	36			
KDN 32-200/219	63		62	61	59	56.5	52.5	46.5	39.5		

2 ПОЛЮСА > 2900 1/мин.

МОДЕЛЬ	Q (м³/ч) (л/мин)	0	6	12	18	24	30	36	42	48	54	60	66	72	78	84	90	102	114	
		0	100	200	300	400	500	600	700	800	900	1000	1100	1200	1300	1400	1500	1700	1900	
KDN 40-125/115		16.8		13.3	15.6	15	14.3	13.2	12.6	9.8										
KDN 40-125/120		18.5		18	17.5	17	16	15	13.5	11.8										
KDN 40-125/125		20.4		20	19.5	19	18	16.7	15.3	13.5										
KDN 40-125/130		22		21.8	21.5	21	20	19	17.5	15.7	14									
KDN 40-125/135		24.1		24	23.9	23.4	22.5	21.5	20	18.3	16.4									
KDN 40-125/142		26.8		26.6	26.4	26	25.3	24.4	23	21.4	19.4	17								
KDN 40-160/137		23.9			23.8	23	22	20.5	18	15										
KDN 40-160/145		27.5			27.4	27	25.7	24.2	22.1	19.5										
KDN 40-160/153		31.1			31	30.5	29.5	28	26.5	24	21									
KDN 40-160/161		34.5			34.5	34.4	33.7	32.3	30.5	28.5	25.8	22.5								
KDN 40-160/169		38.4			38.4	38.2	38	37	35	33.5	31	28								
KDN 40-160/177		42.6			42.5	42.4	42	41.5	40	38.5	35	33	30							
KDN 40-200/170		33.6			33	32.6	32	30	26.5	22.5										
KDN 40-200/180		38.8			38.5	38	37	35	32.5	29	25									
KDN 40-200/190		43.4			43.1	43	42.7	41	38	35	31.5	27								
KDN 40-200/200		48.7			48.4	48.2	47.5	46.5	44	41.5	38.5	34.5								
KDN 40-200/210		54.3			54.1	54	53.6	53	51	48.5	46	42.5	38							
KDN 40-200/219		60			59.8	59.7	59.4	59	57	55	52.5	49.5	46	40						
KDN 40-250/220		63.1			62.8	62.5	61	59	57	55	52	48								
KDN 40-250/230		69.5			69.3	68.5	67.8	66	63.5	61	58	55	51							
KDN 40-250/240		76.3			76	75.8	75	73	70.5	68	65	62	58.5							
KDN 40-250/250		82.8			82.5	82	81.8	80	78	75.5	72.5	69	66							
KDN 40-250/260		91			90.5	90	89.5	88.5	86.5	84	81	78	74							
KDN 50-125/115	H (м)	17.1					15.9	15.5	15	14.3	13.6	13	12.2	11.5	10.4	9				
KDN 50-125/120		18.2						17.5	17	16.5	16	15.3	14.7	14	13.2	12	11.2	10		
KDN 50-125/125		19.8						19.4	19	18.5	17.9	17.4	16.6	16	15.1	14	13	11.8		
KDN 50-125/130		21.5						21.1	20.8	20.5	19.8	19.2	18.5	17.8	17	16.5	15.2	14		
KDN 50-125/135		23.2						23	22.6	22.3	21.8	21.2	20.6	19.9	19.3	18.4	17.5	16.3	13.7	
KDN 50-125/139		24.7						24.5	24.3	24	23.5	23	22.4	21.6	20.8	20	19.2	18	15.5	
KDN 50-125/144		25.9						26.5	26.4	26.1	25.6	25.1	24.5	24	23.2	22.3	21.5	20.5	17.8	15
KDN 50-160/137		24.2						23.8	23.7	23.5	22.5	22	21	20.3	19	18	16.8	15		
KDN 50-160/145		27.2						27	26.9	26.6	26.4	25.5	25	23.8	23	21.5	20.5	19		
KDN 50-160/153		30.3						30.3	30.2	30	29.9	29.5	28.5	27.7	26.5	25.5	24.5	23		
KDN 50-160/161		33.8						33.7	33.7	33.6	33.6	33.3	32.5	31.8	31	29.8	28.5	27.5		
KDN 50-160/169		37.7						37.7	37.5	37.5	37.4	37	36.2	35.7	35.5	34.2	33	31.5	29	
KDN 50-160/177		41.6						41.5	41.5	41.3	41.2	41	40.6	40.5	39.5	38.8	38	36.7	33.5	
KDN 50-200/170		37.9						37	36.8	36.4	35	34	32	30	27	25				
KDN 50-200/180		42.5						42	41.7	41.4	40.5	39.5	38	36	34	32	29			
KDN 50-200/190		47.2						46.8	46.6	46	45.7	44.5	43.5	42	40	38	35.5	33		
KDN 50-200/200		52.4						52.2	52	18	51.5	50.5	49	47.5	46	44.5	42	40		
KDN 50-200/210		58.4						58.4	58.2	58	57.5	56.5	55.5	54	52.5	51	49	46.5	41.5	
KDN 50-200/219		64						64	64	64	63.5	62.5	61.5	60	58.5	57	55	53	48.5	
KDN 50-250/220		63.7						63.3	63.1	63	62	61	59	57.5	55	53	50	46.5	36	
KDN 50-250/230		69.6						69.3	69	68.8	68.5	68	66	64	62	60	57	54	45	
KDN 50-250/240		76						75.8	75.5	75.3	75	74.5	73	71.5	69	67	65	62	55	
KDN 50-250/250		83.2						83	82.9	82.8	83.5	82	80.5	78.5	77	75	72.5	70	64	
KDN 50-250/263		92.1						92	91.8	91.6	91.5	91.3	89.9	88.5	86.5	84.5	82.5	80	75	61

2 ПОЛЮСА > 2900 1/мин.

МОДЕЛЬ	Q (м³/ч) (л/мин)	0	48	54	60	66	72	78	84	90	102	114	120	150	180	210	240	270	300	330	360	390	420
		0	800	900	1000	1100	1200	1300	1400	1500	1700	1900	2000	2500	3000	3500	4000	4500	5000	5500	6000	6500	7000
KDN 65-125/120/110		16	14.4	14	13.6	13.1	12.8	12.2	11.9	11.4	10.2	8.7	8										
KDN 65-125/120		17.8	16	15.8	15.3	17.9	14.4	13.9	13.4	13	11.5	10.3	9.4										
KDN 65-125/125		19.4	17.8	17.5	17.1	16.8	16.4	16	15.4	15	13.5	12.2	11.4										
KDN 65-125/130		21	19.6	19.5	19.1	18.9	18.5	18	17.5	17	15.7	14.2	13.2										
KDN 65-125/135		22.6	21.8	21.5	21.3	21	20.5	20.1	19.6	19.2	18	16.5	15.6										
KDN 65-125/140		24	23.6	23.6	23.4	23	22.8	22.3	22	21.4	20.3	18.9	18	13.8									
KDN 65-125/144		25.6	25.5	25.4	25.2	25	24.6	24.3	24	23.4	22.5	21.1	20.2	16									
KDN 65-160/137		23.1	22.4	22	21.7	21.3	20.5	19.7	19	18	16												
KDN 65-160/145		26.2	25.7	25.5	25	24.6	24	23.5	22.7	22	20	17.8	16.5										
KDN 65-160/153		29.1	28.8	28.5	28.6	28.5	28	27.5	26.6	26	24	22	21										
KDN 65-160/161		32.6	32.5	32.4	32.3	32	31.7	31.3	30.5	30	28.5	26.5	25.5										
KDN 65-160/169		36.4	36.3	36.2	36.1	36	35.7	35.3	34.7	34	32.7	31	30										
KDN 65-160/177		40.1	39.9	39.8	39.7	40	39.8	39.5	39	38.5	37.2	35.5	34.7	28.5									
KDN 65-200/170		37.2	36.8	36.7	36.6	36.5	36	35	34	32.5	30	27	25										
KDN 65-200/180		41.7	41.4	41.3	41.2	41.1	41	40.5	40	39	36.5	34	32										
KDN 65-200/190		48.3	48.2	48.1	48	47.9	47.5	47	41	45	43	40.5	39										
KDN 65-200/200		53.2	53.1	52.9	52.8	52.7	52.5	52.3	52	51.8	50	48	46.5										
KDN 65-200/210		59.2	59.1	59	58.9	58.8	58.7	58.5	58.2	58	56.5	54.5	53.5										
KDN 65-200/219		64.9	64.9	64.8	64.5	64.3	64.1	64	63.8	62.5	62.4	61	60	52.5									
KDN 65-250/220		63.2	62.8	62.5	62	61	60	59.5	58	57	54	50.5	48										
KDN 65-250/230		69.5	69.5	69	68.5	68	67	66	65	64	63	58.5	56.5										
KDN 65-250/240		76	75.7	75.5	75	75	74	73	72	71	69	66	64										
KDN 65-250/250		83	82.3	82.3	82.2	82	81.5	81	80	79	76.5	73.5	72	60									
KDN 65-250/263		92.6	91.8	91.8	91.7	91.5	91.5	91	90	89.5	87.5	85	83	72.5									
KDN 65-315/260		92.8				92.7	91.9	90.9	89.7	88.5	85.5	81.9	79.9	67.8									
KDN 65-315/275		105				104.5	103.9	103.1	102.1	101.1	98.5	95.5	93.8	83.3	69.5								
KDN 65-315/290		117.1				117.0	116.5	115.9	115.1	114.3	112.2	109.7	108.3	99.4	87.6								
KDN 65-315/305		130				129.5	129.2	128.7	128.0	127.3	125.5	123.2	121.9	113.8	103.0	89.6							
KDN 65-315/320		143				142.9	142.6	142.1	171.6	140.9	139.3	137.3	136.2	128.9	119.1	106.8	92.0						
KDN 80-160/147/127		23								21.5	20.7	20	19.5	17	14.5	11.8	8.8						
KDN 80-160/153/136		25.6								24.5	23.8	23	22.5	20.2	17.5	15	11.8						
KDN 80-160/153		29.3								28	27.3	26.5	26	23.5	20.7	16.5	14.5						
KDN 80-160/161		32.8								32	31.5	30.5	30	27.8	25	21.5	18.5						
KDN 80-160/169		36.5								35.7	35.2	34.5	34.2	32	29.5	26.5	22.6	18.5					
KDN 80-160/177		40								39.5	39.2	38.7	38.5	37	34.8	31.8	27.8	23					
KDN 80-200/170		36.6								35.7	35.5	34.5	34	31	27	21.5							
KDN 80-200/180		41								40.6	40.5	40	39.5	37	33	27.5							
KDN 80-200/190		45.7								45.4	45	44.5	44	42	29	34							
KDN 80-200/200		50.8								50.4	50.2	50	49.6	49	46.5	41	35						
KDN 80-200/210		56.3								55.9	55.8	55.7	55.6	54.8	52	48	43						
KDN 80-200/222		63.6								63.4	63.3	63.2	63.1	63	60	56.5	51.5	45					
KDN 80-250/220		62.6								62.5	62.4	62	61.8	60	55.5	49							
KDN 80-250/230		68.3								68.2	68.1	67.9	67.9	67	63	57	50						
KDN 80-250/240		75.5								75.4	75.3	75.2	75	74.5	71	66.5	58.5						
KDN 80-250/250		82.5								82.3	82	81.9	81.7	82	78.5	74	67.5	60.5					
KDN 80-250/260		90								89.7	89.6	86.5	89.3	89	86.5	82	77	70	61.5				
KDN 80-250/270		97.9								97.8	97.5	91.3	97	96.3	94	89	84	77	69				
KDN 80-315/275		106								106.1	105.3	104.3	103.7	99.4	93.4	85.6	76.0						
KDN 80-315/290		118								118.4	117.8	117.1	116.6	113.2	108.2	101.5	93.2	83.4					
KDN 80-315/305		131								130.9	130.7	130.3	130.1	128.1	125.1	121.0	115.9						
KDN 80-315/320		143								143.2	143.0	142.6	142.4	140.7	136.0	134.5							
KDN 80-315/334		156								155.5	155.4	155.3	155.2	154.3									
KDN 100-200/180		40.4												40	38	36	33	30.5	28	25			
KDN 100-200/190		46.5												45	44	42	39	37	34.5	31	28		
KDN 100-200/200		51.5												51	50	48.5	46	44	42	39	35	31.5	
KDN 100-200/210		57.5												57	56	55	53	51	49	46	43	39	36
KDN 100-200/219		64												62.5	62	61	60	58	56	53	50	47	43
KDN 100-250/220		61.1												60	59.5	57	54	50.5	46.5	42			
KDN 100-250/230		67.4												66.9	66.5	64	61	58	54	49	44		
KDN 100-250/240		73.5												72.9	71	70.5	69	66	63	58.5	53		
KDN 100-250/250		79.7												79.5	79	78.8	77	74	71	67	62.5		
KDN 100-250/260		88.6												88.2	88.1	88	86	83	79.5	76	71.5	66	



Назначение. Разработано специально для индивидуальных и коллективных систем водоснабжения, отопления и кондиционирования, систем перекачивания жидкости в промышленности и сельском хозяйстве, а также для создания на их основе насосных станций.

Рабочий диапазон. Производительность: от 1 до 500 куб.м/ч, напор: до 155 м. водяного столба.

Максимальное рабочее давление: для KDN 150-200 – 10 бар, для остальных – 16 бар.

Перекачиваемая жидкость. Состав: чистая, без твердых включений и минеральных масел, не вязкая, химически нейтральная, по характеристикам аналогичная воде. Температура: от -10°C до +140°C.

Основные материалы. Гидравлический корпус и опора двигателя – чугун, рабочее колесо – чугун, ротор – нержавеющая сталь, уплотнение – EPDM, торцевое уплотнение вала – графит/карбид кремния, рама – штампованная листовая сталь.

Особенности. Для двигателей необходимо предусмотреть внешнюю защиту от перегрузки.

Монтаж. Вал двигателя в горизонтальном положении.

Стандартное электропитание: 3x230–400 В.

Степень защиты: IP 55.

Класс изоляции: F

ТЕХНИЧЕСКИЕ ХАРАКТЕРИСТИКИ- KDN

МОДЕЛЬ		МОЩНОСТЬ (кВт)		РАБОЧЕЕ КОЛЕСО ИЗ ЧУГУНА КОД	ИСТОЧНИК ПИТАНИЯ		РАЗМЕРЫ ФЛАНЦЕВ (мм)		РАБОЧЕЕ КОЛЕСО ИЗ БРОНЗЫ КОД	ВЕС кг
		4 ПОЛЮСА	2 ПОЛЮСА		3x230 В	3x400 В	DNA	DNM		
KDN 32-125.1	4 полюса	0,37	–	1D1K11113	•	•	50	32	1D1K21113	81
		0,55	–	1D1K11123	•	•	50	32	1D1K21123	83
		–	0,75	1D1K1113A*	•	•	50	32	1D1K2113A*	85
	2 полюса	–	1,1	1D1K1114A*	•	•	50	32	1D1K2114A*	86
		–	1,5	1D1K1115A*	•	•	50	32	1D1K2115A*	93
		–	2,2	1D1K1116A*	•	•	50	32	1D1K2116A*	100
		–	3	1D1K1117B*	•	•1	50	32	1D1K2117B*	102
–	4	1D1K1118B*	•	•1	50	32	1D1K2118B*	102		
KDN 32-125	4 полюса	0,37	–	1D1111113	•	•	50	32	1D1121113	81
		0,55	–	1D1111123	•	•	50	32	1D1121123	83
		0,75	–	1D111113C*	•	•	50	32	1D112113C*	84
	2 полюса	–	1,1	1D111114A*	•	•	50	32	1D112114A*	85
		–	1,5	1D111115A*	•	•	50	32	1D112115A*	86
		–	2,2	1D111116A*	•	•	50	32	1D112116A*	93
		–	3	1D111117B*	•	•1	50	32	1D112117B*	96,3
–	4	1D111118B*	•	•1	50	32	1D112118B*	117		
KDN 32-160.1	4 полюса	0,37	–	1D1L11113	•	•	50	32	1D1L21113	83
		0,55	–	1D1L11123	•	•	50	32	1D1L21123	86
		0,75	–	1D1L1113C*	•	•	50	32	1D1L2113C*	86
	2 полюса	–	1,1	1D1L1114A*	•	•	50	32	1D1L2114A*	91
		–	1,5	1D1L1115A*	•	•	50	32	1D1L2115A*	94
		–	2,2	1D1L1116A*	•	•	50	32	1D1L2116A*	102
		–	3	1D1L1117B*	•	•1	50	32	1D1L2117B*	102
–	4	1D1L1118B*	•	•1	50	32	1D1L2118B*	104		
–	5,5	1D1L1119B*	•	•1	50	32	1D1L2119B*	136		
KDN 32-160	4 полюса	0,37	–	1D1211113	•	•	50	32	1D1221113	83
		0,55	–	1D1211123	•	•	50	32	1D1221123	85
		0,75	–	1D121113C*	•	•	50	32	1D122113C*	86
		1,1	–	1D121114C*	•	•	50	32	1D122114C*	88
	2 полюса	–	2,2	1D121116A*	•	•	50	32	1D122116A*	92
		–	3	1D121117B*	•	•1	50	32	1D122117B*	102
		–	4	1D121118B*	•	•1	50	32	1D122118B*	104
–	5,5	1D121119B*	•	•1	50	32	1D122119B*	136		
–	7,5	1D12111AB*	•	•1	50	32	1D12211AB*	139		
KDN 32-200.1	4 полюса	0,37	–	1D1M11113	•	•	50	32	1D1M21113	87
		0,55	–	1D1M11123	•	•	50	32	1D1M21123	89
		0,75	–	1D1M1113C*	•	•	50	32	1D1M2113C*	101
		1,1	–	1D1M1114C*	•	•	50	32	1D1M2114C*	106
	2 полюса	–	2,2	1D1M1116A*	•	•	50	32	1D1M2116A*	108
		–	3	1D1M1117B*	•	•1	50	32	1D1M2117B*	140
		–	4	1D1M1118B*	•	•1	50	32	1D1M2118B*	143
–	5,5	1D1M1119B*	•	•1	50	32	1D1M2119B*	143		
–	7,5	1D1M111AB*	•	•1	50	32	1D1M211AB*	166		

* НОВЫЙ IE2 ДВИГАТЕЛЬ

•1 Возможен запуск "звезда"

МОДЕЛЬ		МОЩНОСТЬ (кВт)		РАБОЧЕЕ КОЛЕСО ИЗ ЧГУГУНА КОД	ИСТОЧНИК ПИТАНИЯ		РАЗМЕРЫ ФЛАНЦЕВ (мм)		РАБОЧЕЕ КОЛЕСО ИЗ БРОНЗЫ КОД	ВЕС кг
		4 полюса	2 полюса		3x230 В	3x400 В	DNA	DNM		
KDN 32-200	4 полюса	0.37	-	1D1311113	•	•	50	32	1D1321113	87
		0.55	-	1D1311123	•	•	50	32	1D1321123	89
		0.75	-	1D131113C*	•	•	50	32	1D132113C*	90
		1.1	-	1D131114C*	•	•	50	32	1D132114C*	101
		1.5	-	1D131115C*	•	•	50	32	1D132115C*	101
	2.2	-	1D131116C*	•	•	50	32	1D132116C*	102	
	2 полюса	-	3	1D131117B*		•1	50	32	1D132117B*	103
		-	4	1D131118B*		•1	50	32	1D132118B*	104
		-	5.5	1D131119B*		•1	50	32	1D132119B*	143
		-	7.5	1D13111AB*		•1	50	32	1D13211AB*	177
-		11	1D13111BB*		•1	50	32	1D13211BB*	237	
-	15	1D13111CB*		•1	50	32	1D13211CB*	248		
KDN 40-125	4 полюса	0.37	-	1D2111113	•	•	65	40	1D2121113	81
		0.55	-	1D2111123	•	•	65	40	1D2121123	83
		0.75	-	1D211113C*	•	•	65	40	1D212113C*	84
		1.1	-	1D211114C*	•	•	65	40	1D212114C*	86
		-	1.5	1D211115A*	•	•	65	40	1D212115A*	86
	2 полюса	-	2.2	1D211116A*	•	•	65	40	1D212116A*	91
		-	3	1D211117B*		•1	65	40	1D212117B*	91
		-	4	1D211118B*		•1	65	40	1D212118B*	102
		-	5.5	1D211119B*		•1	65	40	1D212119B*	134
		-	7.5	1D21111AB*		•1	65	40	1D21211AB*	137
KDN 40-160	4 полюса	0.37	-	1D2211113	•	•	65	40	1D2221113	85
		0.55	-	1D2211123	•	•	65	40	1D2221123	89
		0.75	-	1D221113C*	•	•	65	40	1D222113C*	89
		1.1	-	1D221114C*	•	•	65	40	1D222114C*	91
		1.5	-	1D221115C*	•	•	65	40	1D222115C*	101
	2 полюса	-	3	1D221117B*		•1	65	40	1D222117B*	102
		-	4	1D221118B*		•1	65	40	1D222118B*	104
		-	5.5	1D221119B*		•1	65	40	1D222119B*	160
		-	7.5	1D22111AB*		•1	65	40	1D22211AB*	165
		-	11	1D22111BB*		•1	65	40	1D22211BB*	173
-	15	1D22111CB*		•1	65	40	1D22211CB*	173		
KDN 40-200	4 полюса	0.55	-	1D2311123	•	•	65	40	1D2321123	98
		0.75	-	1D231113C*	•	•	65	40	1D232113C*	98
		1.1	-	1D231114C*	•	•	65	40	1D232114C*	101
		1.5	-	1D231115C*	•	•	65	40	1D232115C*	105
		2.2	-	1D231116C*	•	•	65	40	1D232116C*	111
	2 полюса	3	-	1D231117D*		•1	65	40	1D232117D*	118
		-	4	1D231118B*		•1	65	40	1D232118B*	135
		-	5.5	1D231119B*		•1	65	40	1D232119B*	146
		-	7.5	1D23111AB*		•1	65	40	1D23211AB*	147
		-	11	1D23111BB*		•1	65	40	1D23211BB*	221
-	15	1D23111CB*		•1	65	40	1D23211CB*	231		
-	18.5	1D23111DB*		•1	65	40	1D23211DB*	231		
KDN 40-250	4 полюса	1.5	-	1D241115C*	•	•	65	40	1D242115C*	125
		2.2	-	1D241116C*	•	•	65	40	1D242116C*	129
		3	-	1D241117D*		•1	65	40	1D242117D*	149
		4	-	1D241118D*		•1	65	40	1D242118D*	200
	2 полюса	-	11	1D24111BB*		•1	65	40	1D24211BB*	236
		-	15	1D24111CB*		•1	65	40	1D24211CB*	278
		-	18.5	1D24111DB*		•1	65	40	1D24211DB*	298
-	22	1D24111EB*		•1	65	40	1D24211EB*	320		
-	30	1D24111FB*		•1	65	40	1D24211FB*	320		
KDN 50-125	4 полюса	0.37	-	1D3111113	•	•	65	50	1D3121113	87
		0.55	-	1D3111123	•	•	65	50	1D3121123	90
		0.75	-	1D311113C*	•	•	65	50	1D312113C*	91
		1.1	-	1D311114C*	•	•	65	50	1D312114C*	93
		1.5	-	1D311115C*	•	•	65	50	1D312115C*	101
	2 полюса	-	3	1D311117B*		•1	65	50	1D312117B*	105
		-	4	1D311118B*		•1	65	50	1D312118B*	109
		-	5.5	1D311119B*		•1	65	50	1D312119B*	143
		-	7.5	1D31111AB*		•1	65	50	1D31211AB*	143
		-	11	1D31111BB*		•1	65	50	1D31211BB*	143

* НОВЫЙ ПЕД ДВИГАТЕЛЬ

•1 Возможен запуск "звезда"

МОДЕЛЬ		МОЩНОСТЬ (кВт)		КОД	ИСТОЧНИК ПИТАНИЯ		РАЗМЕРЫ ФЛАНЦА (мм)		КОД	ВЕС кг
		4 полюса	2 полюса		3x230 В	3x400 В	DNA	DNM		
KDN 50-160	4 полюса	0.55	–	1D3211123	•	•	65	50	1D3221123	97
		0.75	–	1D321113C*	•	•	65	50	1D322113C*	98
		1.1	–	1D321114C*	•	•	65	50	1D322114C*	100
		1.5	–	1D321115C*	•	•	65	50	1D322115C*	103
		2.2	–	1D321116C*	•	•	65	50	1D322116C*	107
	2 полюса	3	–	1D321117D*		•1	65	50	1D322117D*	110
		–	4	1D321118B*		•1	65	50	1D322118B*	132
		–	5.5	1D321119B*		•1	65	50	1D322119B*	143
		–	7.5	1D32111AB*		•1	65	50	1D32211AB*	177
		–	11	1D32111BB*		•1	65	50	1D32211BB*	188
KDN 50-200	4 полюса	–	15	1D32111CB*		•1	65	50	1D32211CB*	200
		–	18.5	1D32111DB*		•1	65	50	1D32211DB*	202
		0.75	–	1D331113C*	•	•	65	50	1D332113C*	104
		1.1	–	1D331114C*	•	•	65	50	1D332114C*	107
		1.5	–	1D331115C*	•	•	65	50	1D332115C*	114
	2 полюса	2.2	–	1D331116C*	•	•	65	50	1D332116C*	123
		3	–	1D331117D*		•1	65	50	1D332117D*	122
		4	–	1D331118D*		•1	65	50	1D332118D*	122
		–	7.5	1D33111AB*		•1	65	50	1D33211AB*	176
		–	11	1D33111BB*		•1	65	50	1D33211BB*	186
KDN 50-250	4 полюса	–	15	1D33111CB*		•1	65	50	1D33211CB*	280
		–	18.5	1D33111DB*		•1	65	50	1D33211DB*	283
		2.2	–	1D341116C*	•	•	65	50	1D342116C*	135
		3	–	1D341117D*		•1	65	50	1D342117D*	138
		4	–	1D341118D*		•1	65	50	1D342118D*	165
	2 полюса	5.5	–	1D341119D*		•1	65	50	1D342119D*	173
		–	15	1D34111CB*		•1	65	50	1D34211CB*	260
		–	18.5	1D34111DB*		•1	65	50	1D34211DB*	289
		–	22	1D34111EB*		•1	65	50	1D34211EB*	319
		–	30	1D34111FB*		•1	65	50	1D34211FB*	407
KDN 65-125	4 полюса	–	37	1D34111GB*		•1	65	50	1D34211GB*	333
		–	45	1D34111HB*		•1	65	50	1D34211HB*	374
		0.37	–	1D4111113	•	•	80	65	1D4121113	94
		0.55	–	1D4111123	•	•	80	65	1D4121123	97
		0.75	–	1D411113C*	•	•	80	65	1D412113C*	98
	2 полюса	1.1	–	1D411114C*	•	•	80	65	1D412114C*	100
		1.5	–	1D411115C*	•	•	80	65	1D412115C*	103
		2.2	–	1D411116C*	•	•	80	65	1D412116C*	107
		–	4	1D411118B*		•1	80	65	1D412118B*	132
		–	5.5	1D411119B*		•1	80	65	1D412119B*	143
KDN 65-160	4 полюса	–	7.5	1D41111AB*		•1	80	65	1D41211AB*	146
		–	11	1D41111BB*		•1	80	65	1D41211BB*	175
		–	15	1D41111CB*		•1	80	65	1D41211CB*	180
		0.75	–	1D421113C*	•	•	80	65	1D422113C*	101
		1.1	–	1D421114C*	•	•	80	65	1D422114C*	103
	2 полюса	1.5	–	1D421115C*	•	•	80	65	1D422115C*	114
		2.2	–	1D421116C*	•	•	80	65	1D422116C*	114
		3	–	1D421117D*		•1	80	65	1D422117D*	148
		–	5.5	1D421119B*		•1	80	65	1D422119B*	149
		–	7.5	1D42111AB*		•1	80	65	1D42211AB*	173
2 полюса	–	11	1D42111BB*		•1	80	65	1D42211BB*	183	
	–	15	1D42111CB*		•1	80	65	1D42211CB*	220	
	–	18.5	1D42111DB*		•1	80	65	1D42211DB*	220	
	–	22	1D42111EB*		•1	80	65	1D42211EB*	220	

* НОВЫЙ IE2 ДВИГАТЕЛЬ

•1 Возможен запуск "звезда"

МОДЕЛЬ		МОЩНОСТЬ (кВт)		РАБОЧЕЕ КОЛЕСО ИЗ ЧУГУНА КОД	ИСТОЧНИК ПИТАНИЯ		РАЗМЕРЫ ФЛАНЦЕВ (мм)		РАБОЧЕЕ КОЛЕСО ИЗ БРОНЗЫ КОД	ВЕС КГ		
		4 полюса	2 полюса		3x230 В	3x400 В	DNA	DNM				
KDN 65-200	4 полюса	1.1	-	1D431114C*	•	•	80	65	1D432114C*	141		
		1.5	-	1D431115C*	•	•	80	65	1D432115C*	143		
		2.2	-	1D431116C*	•	•	80	65	1D432116C*	147		
		3	-	1D431117D*		•1	80	65	1D432117D*	150		
		4	-	1D431118D*		•1	80	65	1D432118D*	150		
		5,5	-	1D431119D*		•1	80	65	1D432119D*	200		
	2 полюса	-	11	1D43111BB*		•1	80	65	1D43211BB*	267		
		-	15	1D43111CB*		•1	80	65	1D43211CB*	279		
		-	18.5	1D43111DB*		•1	80	65	1D43211DB*	289		
		-	22	1D43111EB*		•1	80	65	1D43211EB*	332		
		-	30	1D43111FB*		•1	80	65	1D43211FB*	406		
		-	37	1D43111GB*		•1	80	65	1D43211GB*	406		
KDN 65-250	4 полюса	3	-	1D441117D*		•1	80	65	1D442117D*	178		
		4	-	1D441118D*		•1	80	65	1D442118D*	185		
		5,5	-	1D441119D*		•1	80	65	1D442119D*	201		
		7,5	-	1D44111AD*		•1	80	65	1D44211AD*	257		
		11	-	1D44111BD*		•1	80	65	1D44211BD*	257		
	2 полюса	-	22	1D44111EB*		•1	80	65	1D44211EB*	319		
		-	30	1D44111FB*		•1	80	65	1D44211FB*	460		
		-	37	1D44111GB*		•1	80	65	1D44211GB*	477		
		-	45	1D44111HB*		•1	80	65	1D44211HB*	550		
		-	55	1D44111KB*		•1	80	65	1D44211KB*	672		
		KDN 65-315	4 полюса	5,5	-	1D451119D*		•1	80	65	1D452119D*	259
				7,5	-	1D45111AD*		•1	80	65	1D45211AD*	292
11	-			1D45111BD*		•1	80	65	1D45211BD*	297		
15	-			1D45111CD*		•1	80	65	1D45211CD*	297		
18,5	-			1D45111DD*		•1	80	65	1D45211DD*	322		
2 полюса	-		45	1D45111HB*		•1	80	65	1D45211HB*	580		
	-		55	1D45111KB*		•1	80	65	1D45211KB*	702		
KDN 80-160	4 полюса	-	75	1D45111LB*		•1	80	65	1D45211LB*	820		
		-	90	-		•1	80	65	1D45211MB*	930		
		-	110	-		•1	80	65	1D45211NB*	1020		
		1.1	-	1D521114C*	•	•	100	80	1D522114C*	125		
		1.5	-	1D521115C*	•	•	100	80	1D522115C*	127		
		2.2	-	1D521116C*	•	•	100	80	1D522116C*	139		
	2 полюса	3	-	1D521117D*		•1	100	80	1D522117D*	138		
		4	-	1D521118D*		•1	100	80	1D522118D*	138		
5,5		-	1D521119D*		•1	100	80	1D522119D*	163			
-		7,5	1D52111AB*		•1	100	80	1D52211AB*	189			
-		11	1D52111BB*		•1	100	80	1D52211BB*	298			
-		15	1D52111CB*		•1	100	80	1D52211CB*	298			
-		18,5	1D52111DB*		•1	100	80	1D52211DB*	298			
-		22	1D52111EB*		•1	100	80	1D52211EB*	298			
KDN 80-200	4 полюса	-	30	1D52111FB*		•1	100	80	1D52211FB*	304		
		-	37	1D52111GB*		•1	100	80	1D52211GB*	383		
		1.5	-	1D531115C*	•	•	100	80	1D532115C*	161		
		2.2	-	1D531116C*	•	•	100	80	1D532116C*	166		
		3	-	1D531117D*		•1	100	80	1D532117D*	168		
		4	-	1D531118D*		•1	100	80	1D532118D*	188		
	2 полюса	5,5	-	1D531119D*		•1	100	80	1D532119D*	188		
		7,5	-	1D53111AD*		•1	100	80	1D53211AD*	188		
		11	-	1D53111BD*		•1	100	80	1D53211BD*	197		
		-	18,5	1D53111DB*		•1	100	80	1D53211DB*	239		
		-	22	1D53111EB*		•1	100	80	1D53211EB*	275		
		-	30	1D53111FB*		•1	100	80	1D53211FB*	432		
KDN 80-200	2 полюса	-	37	1D53111GB*		•1	100	80	1D53211GB*	455		
		-	45	1D53111HB*		•1	100	80	1D53211HB*	548		
		-	55	1D53111KB*		•1	100	80	1D53211KB*	494		
		-	75	1D53111LB*		•1	100	80	1D53211LB*	609		

* НОВЫЙ IE2 ДВИГАТЕЛЬ

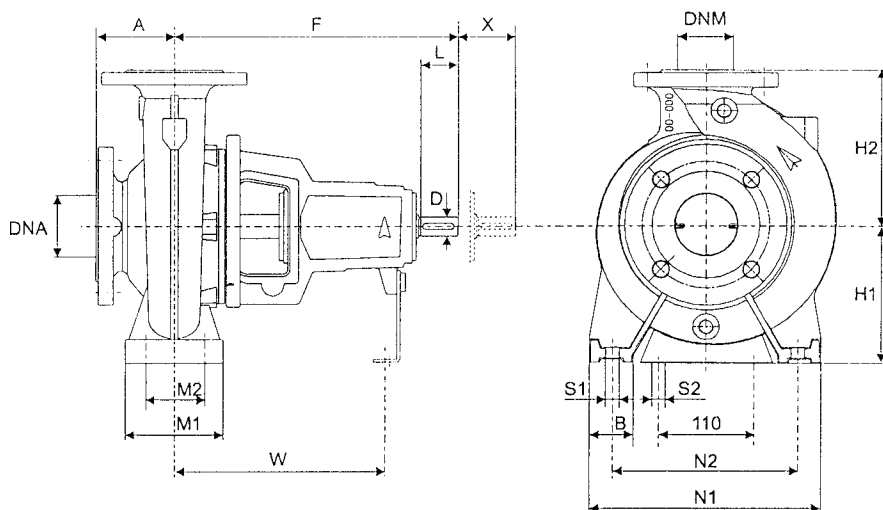
•1 Возможен запуск "звезда"

МОДЕЛЬ		МОЩНОСТЬ (кВт)		РАБОЧЕЕ КОЛЕСО ИЗ ЧУГУНА КОД	ИСТОЧНИК ПИТАНИЯ	РАЗМЕРЫ ФЛАНЦЕВ (мм)		РАБОЧЕЕ КОЛЕСО ИЗ БРОНЗЫ КОД	ВЕС кг
		4 полюса	2 полюса			DNA	DNM		
KDN 80-250	4 полюса	4	-	1D541118D*	•1	100	80	1D542118D*	219
		5.5	-	1D541119D*	•1	100	80	1D542119D*	219
		7.5	-	1D54111AD*	•1	100	80	1D54211AD*	219
		11	-	1D54111BD*	•1	100	80	1D54211BD*	258
	2 полюса	15	-	1D54111CD*	•1	100	80	1D54211CD*	277
		-	37	1D54111GB*	•1	100	80	1D54211GB*	471
		-	45	1D54111HB*	•1	100	80	1D54211HB*	545
		-	55	1D54111KB*	•1	100	80	1D54211KB*	650
		-	75	1D54111LB*	•1	100	80	1D54211LB*	641
		-	90	1D54111MB*	•1	100	80	1D54211MB*	909
KDN 80-315	4 полюса	7.5	-	1D55111AD*	•1	100	80	1D55211AD*	390
		11	-	1D55111BD*	•1	100	80	1D55211BD*	390
		15	-	1D55111CD*	•1	100	80	1D55211CD*	390
		18.5	-	1D55111DD*	•1	100	80	1D55211DD*	409
		22	-	1D55111ED*	•1	100	80	1D55211ED*	348
	2 полюса	30	-	1D55111FD*	•1	100	80	1D55211FD*	384
		-	55	1D55111KB*	•1	100	80	1D55211KB*	720
		-	75	-	•1	100	80	1D55211LB*	840
		-	90	-	•1	100	80	1D55211MB*	950
		-	110	-	•1	100	80	1D55211NB*	1060
KDN 100-200	4 полюса	3	-	1D631117D*	•1	125	100	1D632117D*	181
		4	-	1D631118D*	•1	125	100	1D632118D*	188
		5.5	-	1D631119D*	•1	125	100	1D632119D*	214
		7.5	-	1D63111AD*	•1	125	100	1D63211AD*	209
		11	-	1D63111BD*	•1	125	100	1D63211BD*	307
		15	-	1D63111CD*	•1	125	100	1D63211CD*	380
	2 полюса	-	30	1D63111FB*	•1	125	100	1D63211FB*	454
		-	37	1D63111GB*	•1	125	100	1D63211GB*	402
		-	45	1D63111HB*	•1	125	100	1D63211HB*	549
		-	55	1D63111KB*	•1	125	100	1D63211KB*	623
		-	75	1D63111LB*	•1	125	100	1D63211LB*	621
		-	90	1D63111MB*	•1	125	100	1D63211MB*	621
KDN 100-250	4 полюса	5.5	-	1D641119D*	•1	125	100	1D642119D*	241
		7.5	-	1D64111AD*	•1	125	100	1D64211AD*	250
		11	-	1D64111BD*	•1	125	100	1D64211BD*	292
		15	-	1D64111CD*	•1	125	100	1D64211CD*	300
		18.5	-	1D64111DD*	•1	125	100	1D64211DD*	578
	2 полюса	-	45	1D64111HB*	•1	125	100	1D64211HB*	696
		-	55	1D64111KB*	•1	125	100	1D64211KB*	696
		-	75	1D64111LB*	•1	125	100	1D64211LB*	850
		-	90	1D64111MB*	•1	125	100	1D64211MB*	670
		-	110	1D64111NB*	•1	125	100	1D64211NB*	1120
KDN 100-315	4 полюса	11	-	1D65111BD*	•1	125	100	1D65211BD*	313
		15	-	1D65111CD*	•1	125	100	1D65211CD*	300
		18.5	-	1D65111DD*	•1	125	100	1D65211DD*	346
		22	-	1D65111ED*	•1	125	100	1D65211ED*	372
		30	-	1D65111FD*	•1	125	100	1D65211FD*	458
		37	-	1D65111GD*	•1	125	100	1D65211GD*	518
KDN 125-250	4 полюса	7.5	-	1D74111AD*	•1	150	125	1D74211AD*	310
		11	-	1D74111BD*	•1	150	125	1D74211BD*	328
		15	-	1D74111CD*	•1	150	125	1D74211CD*	416
		18.5	-	1D74111DD*	•1	150	125	1D74211DD*	422
		22	-	1D74111ED*	•1	150	125	1D74211ED*	463
		30	-	1D74111FD*	•1	150	125	1D74211FD*	511
KDN 150-200	4 полюса	5.5	-	1D831119D*	•1	200	150	1D832119D*	454
		7.5	-	1D83111AD*	•1	200	150	1D83211AD*	454
		11	-	1D83111BD*	•1	200	150	1D83211BD*	454
		15	-	1D83111CD*	•1	200	150	1D83211CD*	454
		18.5	-	1D83111DD*	•1	200	150	1D83211DD*	454

* НОВЫЙ IE2 ДВИГАТЕЛЬ

•1 Возможен запуск "звезда"

РАЗМЕРЫ



МОДЕЛЬ	max 1450 min-1		max 2900 min-1		РАЗМЕР ФЛАНЦЕВ, мм		РАЗМЕР НАСОСА, мм				РАЗМЕР ОПОР, мм					ОТВЕРСТИЯ БОЛТОВ		ХВОСТОВИК ВАЛА, мм		X													
	Q м3/ч	H м	Q м3/ч	H м	DNA	DNM	A	F	H1	H2	B	M1	M2	N1	N2	W	S1	S2	D		L												
KDN 32-125.1	10.5	5.5	20,9	22	50	32	80	360	112	140	50	100	70	190	140	260	M12	M12	24	50	100												
KDN 32-125	13.6	5.8	28	22.8																													
KDN 32-160.1	8.7	8.3	17.5	33																													
KDN 32-160	15.9	8,6	31	34																													
KDN 32-200.1	8.5	11.4	18	45																													
KDN 32-200	17.7	13.2	35.5	52.5					160	180																							
KDN 40-125	21.8	5.6	46	21.5	65	40	80	360	112	140	50	100	70	210	160	260	M12	M12	24	50	100												
KDN 40-160	25.8	9.2	50	37.2																		132	160			240	190						
KDN 40-200	29	12.6	57	51																		160	180			265	212						
KDN 40-250	31	19.1	62	77			100								180							225	65	125	95	320	250						
KDN 50-125	41	5.4	83	21.5			65		50	100				360	132							160	50	100	70	240	190	260	M12	M12	24	50	100
KDN 50-160	43.3	9.3	87.5	37								160	180				265	212															
KDN 50-200	41	14	81	56								180	200																				
KDN 50-250	49	19.1	100	76								180	225		65	125	95	320	250														
KDN 65-125	57	5.2	114	21	80	65		100			360	160	180		65	125	95	280	212	260	M12	M12				24	50						
KDN 65-160	61	8.6	121	34.5									180	225									320	250									
KDN 65-200	62	14.8	123	59									200	250									360	280									
KDN 65-250	65.4	20	129	81			125					225	280	80				160	120				400	315	340			M16		32	80	140	
KDN 65-315	84	31.5	-	-																													
KDN 80-160	101	8.1	195	33.5	100	80	125	360	180	225	65	125	95	320	250	260	M12	M12	24	50	140												
KDN 80-200	101	14.4	200	57.5																		250				345	280						
KDN 80-250	103	23	215	88																		200	280	80	160	120	400	315	340	M16		32	80
KDN 80-315	136	35	-	-											250							315											
KDN 100-200	163	13.4	315	53			125		100	140				470	200							280	80	160	120	360	280	340	M16	M12	32	80	140
KDN 100-250	159	21,8	313	87							225					400	315																
KDN 100-315	187	34.1	-	-	140						250	315																					
KDN 125-250	289	20.5	-	-	150	125	140	470	250	355	80	160	120	400	315	340	M16	M12	32	80	140												
KDN 150-200	378	10	-	-	200	150	160	470	280	400	100	200	150	550	450	340	M20	M12	32	80	140												

ТЕХНИЧЕСКИЕ ХАРАКТЕРИСТИКИ ГИДРАВЛИЧЕСКОЙ ЧАСТИ

МОДЕЛЬ	КОД	DNA	DNM	ВЕС, кг
KDN 32-125.1	1D1K11000	50	32	37
KDN 32-125	1D1111000	50	32	36
KDN 32-160.1	1D1L11000	50	32	38
KDN 32-160	1D1211000	50	32	38
KDN 32-200.1	1D1M11000	50	32	46
KDN 32-200	1D1311000	50	32	46
KDN 40-125	1D2111000	65	40	39
KDN 40-160	1D2211000	65	40	41
KDN 40-200	1D2311000	65	40	49
KDN 40-250	1D2411000	65	40	57
KDN 50-125	1D3111000	65	50	42
KDN 50-160	1D3211000	65	50	44
KDN 50-200	1D3311000	65	50	51
KDN 50-250	1D3411000	65	50	59
KDN 65-125	1D4111000	80	65	46
KDN 65-160	1D4211000	80	65	47
KDN 65-200	1D4311000	80	65	66
KDN 65-250	1D4411000	80	65	93
KDN 65-315	1D4511000	80	65	112
KDN 80-160	1D5211000	100	80	55
KDN 80-200	1D5311000	100	80	84
KDN 80-250	1D5411000	100	80	104
KDN 80-315	1D5511000	100	80	122
KDN 100-200	1D6311000	125	100	96
KDN 100-250	1D6411000	125	100	111
KDN 100-315	1D6511000	125	100	126
KDN 125-250	1D7411000	150	125	135
KDN 150-200	1D8311000	200	150	178

ЧУГУННОЕ РАБОЧЕЕ КОЛЕСО



МОДЕЛЬ	КОД	DNA	DNM	ВЕС, кг
KDN 32-125.1	1D1K21000	50	32	37
KDN 32-125	1D1121000	50	32	37
KDN 32-160.1	1D1L21000	50	32	38
KDN 32-160	1D1221000	50	32	38
KDN 32-200.1	1D1M21000	50	32	38
KDN 32-200	1D1321000	50	32	48
KDN 40-125	1D2121000	65	40	40
KDN 40-160	1D2221000	65	40	41
KDN 40-200	1D2321000	65	40	52
KDN 40-250	1D2421000	65	40	58
KDN 50-125	1D3121000	65	50	42
KDN 50-160	1D3221000	65	50	44
KDN 50-200	1D3321000	65	50	52
KDN 50-250	1D3421000	65	50	60
KDN 65-125	1D4121000	80	65	47
KDN 65-160	1D4221000	80	65	49
KDN 65-200	1D4321000	80	65	58
KDN 65-250	1D4421000	80	65	99
KDN 65-315	1D4521000	80	65	114
KDN 80-160	1D5221000	100	80	57
KDN 80-200	1D5321000	100	80	82
KDN 80-250	1D5421000	100	80	107
KDN 80-315	1D5521000	100	80	124
KDN 100-200	1D6321000	125	100	98
KDN 100-250	1D6421000	125	100	115
KDN 100-315	1D6521000	125	100	133
KDN 125-250	1D7421000	150	125	133
KDN 150-200	1D8321000	200	150	178

БРОНЗОВОЕ РАБОЧЕЕ КОЛЕСО



СПЕЦИАЛЬНАЯ ВЕРСИЯ

МОДЕЛЬ
KDN 32-125.1
KDN 32-125
KDN 32-160.1
KDN 32-160
KDN 32-200.1
KDN 32-200
KDN 40-125
KDN 40-160
KDN 40-200
KDN 40-250
KDN 50-125
KDN 50-160
KDN 50-200
KDN 50-250
KDN 65-125
KDN 65-160
KDN 65-200
KDN 65-250
KDN 65-315
KDN 80-160
KDN 80-200
KDN 80-250
KDN 80-315
KDN 100-200
KDN 100-250
KDN 100-315
KDN 125-250
KDN 150-200

ВЕРСИИ СО СПЕЦИАЛЬНЫМ
ТОРЦЕВЫМ УПЛОТНЕНИЕМ

(1) Торцевое уплотнение с обрезиненным низом:
Карбид кремния / Карбид кремния / EPDM

(2) Торцевое уплотнение с обрезиненным низом:
Карбид кремния / Карбид кремния / Viton

(3) Торцевое уплотнение с обрезиненным низом:
Графит / Карбид кремния / Viton

(4) Сальниковая набивка неохлаждаемая

(5) Сальниковая набивка неохлаждаемая
и без кожуха охлаждения

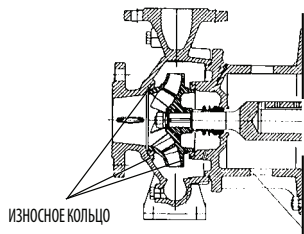
(6) Сальниковая набивка неохлаждаемая
с внешним подводом жидкости

СПЕЦИАЛЬНАЯ ВЕРСИЯ

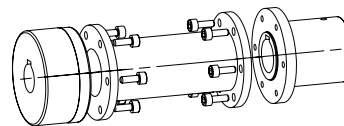
МОДЕЛЬ
KDN 32-125.1
KDN 32-125
KDN 32-160.1
KDN 32-160
KDN 32-200.1
KDN 32-200
KDN 40-125
KDN 40-160
KDN 40-200
KDN 40-250
KDN 50-125
KDN 50-160
KDN 50-200
KDN 50-250
KDN 65-125
KDN 65-160
KDN 65-200
KDN 65-250
KDN 65-315
KDN 80-160
KDN 80-200
KDN 80-250
KDN 80-315
KDN 100-200
KDN 100-250
KDN 100-315
KDN 125-250
KDN 150-200

КАТАФОРЕЗНОЕ ПОКРЫТИЕ ВСЕХ ЭЛЕМЕНТОВ,
НЕПОСРЕДСТВЕННО СОПРИКАСАЮЩИХСЯ С
ПЕРЕКАЧИВАЕМОЙ ЖИДКОСТЬЮ

СПЕЦИАЛЬНАЯ ВЕРСИЯ



ИЗНОСНОЕ КОЛЬЦО



МОДЕЛЬ
KDN 32-125.1
KDN 32-125
KDN 32-160.1
KDN 32-160
KDN 32-200.1
KDN 32-200
KDN 40-125
KDN 40-160
KDN 40-200
KDN 40-250
KDN 50-125
KDN 50-160
KDN 50-200
KDN 50-250
KDN 65/125
KDN 65-160
KDN 65-200
KDN 65-250
KDN 65-315
KDN 80-160
KDN 80-200
KDN 80-250
KDN 80-315
KDN 100-200
KDN 100-250
KDN 100-315
KDN 125-250
KDN 150-200

С ИЗНОСНЫМ
КОЛЬЦОМ

МОДЕЛЬ
KDN 32-125.1
KDN 32-125
KDN 32-160.1
KDN 32-160
KDN 32-200.1
KDN 32-200
KDN 40-125
KDN 40-160
KDN 40-200
KDN 40-250
KDN 50-125
KDN 50-160
KDN 50-200
KDN 50-250
KDN 65/125
KDN 65-160
KDN 65-200
KDN 65-250
KDN 65-315
KDN 80-160
KDN 80-200
KDN 80-250
KDN 80-315
KDN 100-200
KDN 100-250
KDN 100-315
KDN 125-250
KDN 150-200

С МУФТОЙ

АКСЕССУАРЫ - ОТВЕТНЫЕ ФЛАНЦЫ

МОДЕЛЬ	КОД	КОНТРОФЛАНЦЫ И ПРОКЛАДКИ	РЕЗЬБОВЫЕ	МАТЕРИАЛ	PN
DN 32	109620520	1 x DN 32 + 1 x DN 50	Под резьбу	СТАЛЬ	16
DN 40	109620530	1 x DN 40 + 1 x DN 65	Под резьбу	СТАЛЬ	16
DN 50	109620540	1 x DN 50 + 1 x DN 65	Под резьбу	СТАЛЬ	16
DN 65	109620550	1 x DN 65 + 1 x DN 80	Под резьбу	СТАЛЬ	16
DN 32	109620400	1 x DN 32 + 1 x DN 50	Под сварку	СТАЛЬ	16
DN 40	109620410	1 x DN 40 + 1 x DN 65	Под сварку	СТАЛЬ	16
DN 50	109620420	1 x DN 50 + 1 x DN 65	Под сварку	СТАЛЬ	16
DN 50/1	60115139	1 x DN 50 + 1 x DN 80	Под сварку	СТАЛЬ	16
DN 65	109620430	1 x DN 65 + 1 x DN 80	Под сварку	СТАЛЬ	16
DN 65/1	60115140	1 x DN 65 + 1 x DN 100	Под сварку	СТАЛЬ	16
DN 80	109620440	1 x DN 80 + 1 x DN 100	Под сварку	СТАЛЬ	16
DN 80/1	60115141	1 x DN 80 + 1 x DN 125	Под сварку	СТАЛЬ	16
DN 100	109620450	1 x DN 100 + 1 x DN 125	Под сварку	СТАЛЬ	16
DN 125	109620460	1 x DN 125 + 1 x DN 150	Под сварку	СТАЛЬ	16
DN 150	109620470	1 x DN 150 + 1 x DN 200	Под сварку	СТАЛЬ	16 (10 x DN 200)
DN 200	109620480	1 x DN 200 + 1 x DN 250	Под сварку	СТАЛЬ	16 (10 x DN 200)
DN 250/1	109620500	1 x DN 200 + 1 x DN 250	Под сварку	СТАЛЬ	16
DN 300	109620510	1 x DN 300 + 1 x DN 350	Под сварку	СТАЛЬ	16
DN 350	60115142	1 x DN 350 + 1 x DN 400	Под сварку	СТАЛЬ	16



Комплект включает в себя ответные фланцы с прокладками, болтами и гайками по размеру насоса, для которого предназначен комплект.